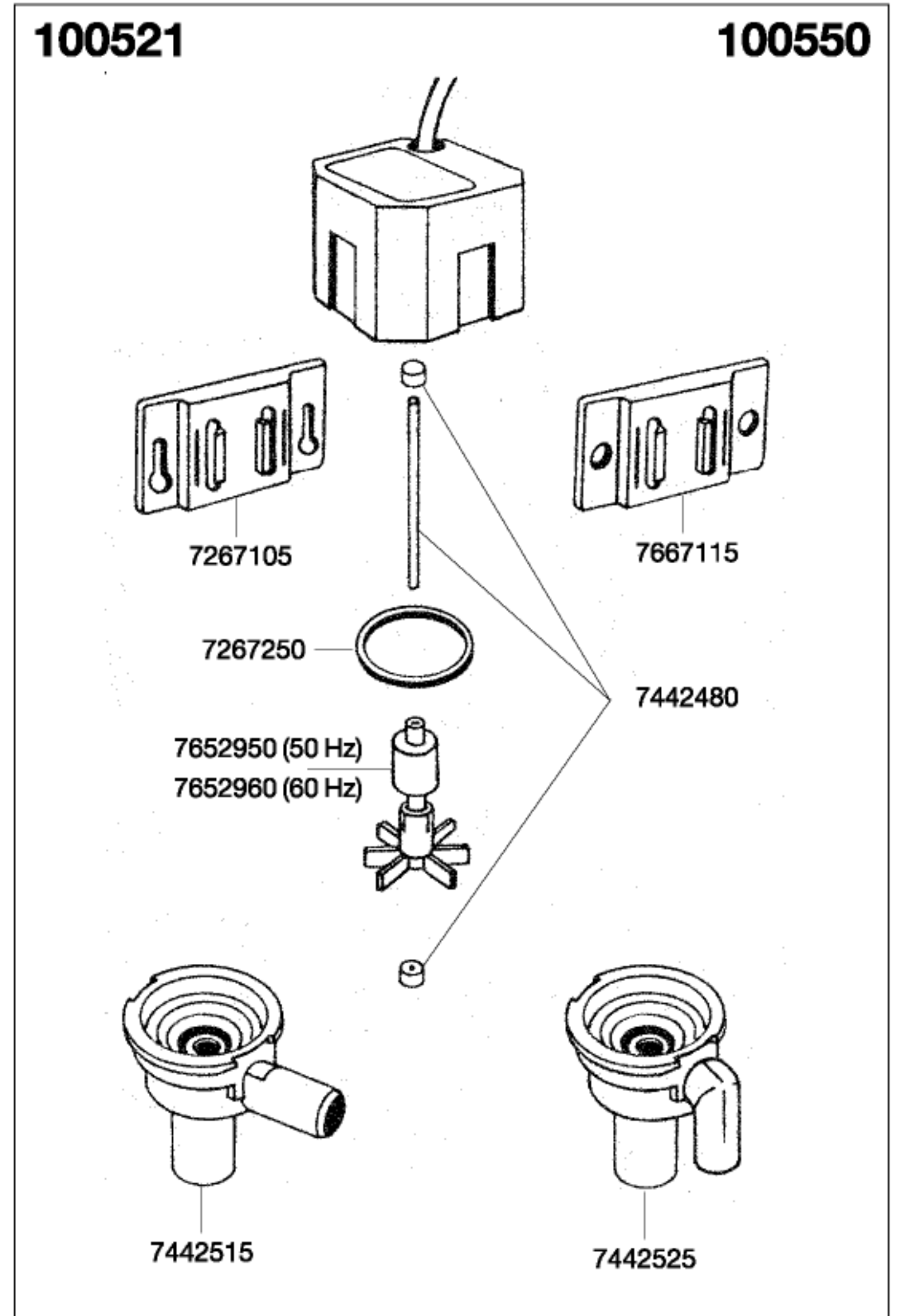
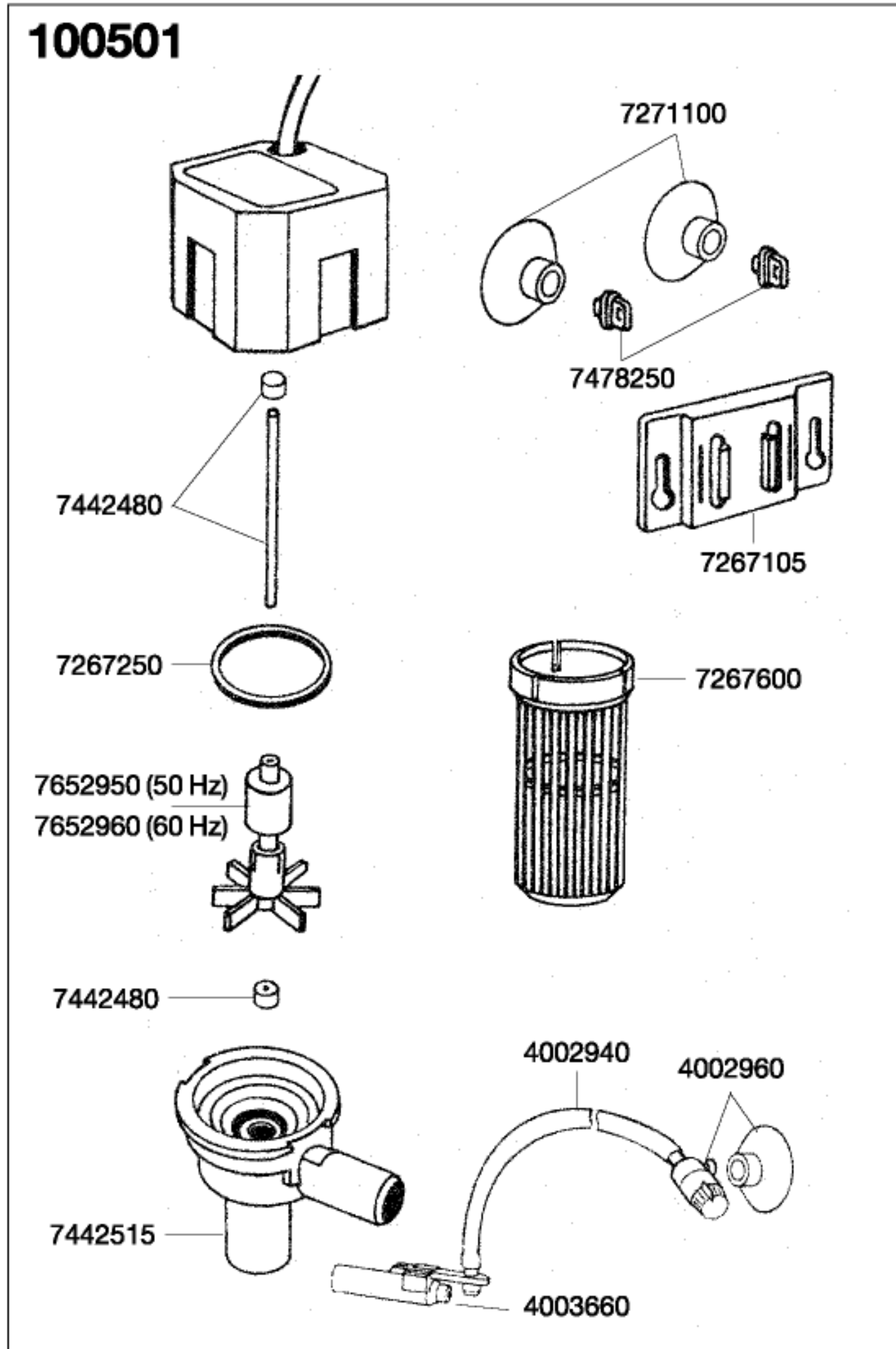


100501 Universal Powerhead 100521 and 100550 Centrifugal pumps



Type	230 V / 50 Hz Schuko	230 V / 50 Hz Europe	240 V / 50 Hz GB	240 V / 50 Hz AUS	220 V / 60 Hz
100501-20	1005015	1005035	1005115	1005125	1005185
100521-49	1005215	1005225	1005345	-	-



Order no.	Spare part
4002940	Hose \varnothing 4 / 6 mm
4002960	Air regulating clamp
4003660	Diffusor
4009530	Adapter piece for 100501
4009550	Set of cleaning brushes (not shown)
7267105	Mounting plate for 100501 and 100521
7267115	Mounting plate for 100550
7267250	Sealing ring (2 pieces)

Order no.	Spare part
7267600	Inlet strainer for 100501
7271100	Suction cup (4 pieces)
7442480	Shaft with bushings
7442515	Cover for 100501 / 100521
7442525	Cover for 100550
7478250	Attachment lug (4 pieces)
7652950	Impeller (50 Hz)
7652960	Impeller (60 Hz)